

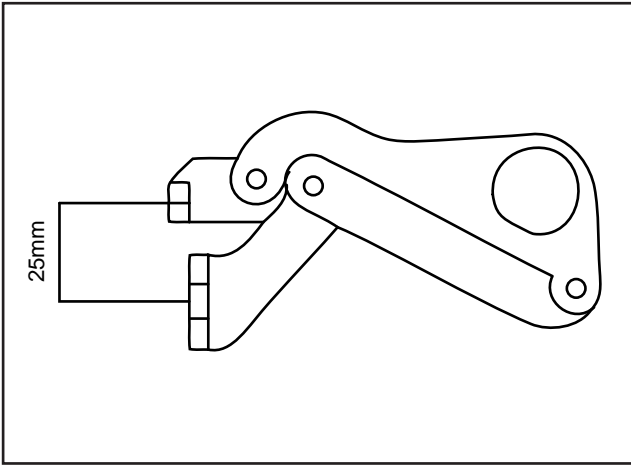
TANDEM BARS

- 400mm
- 600mm
- 800mm
- 1000mm
- 1200mm
- 1500mm
- 1750mm
- 2000mm

MINIMUM VENT HEIGHT

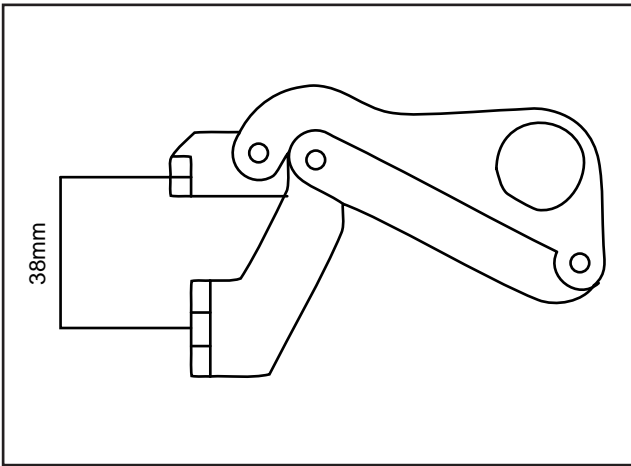
BUTT HINGES	250mm
FRICTION STAYS	400mm

** ENSURE THE FOLDING OPENER IS FITTED 100mm - 200mm FROM EDGE OF VENT



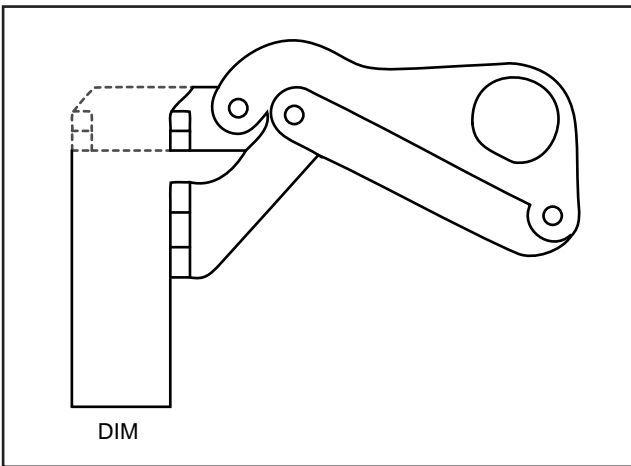
CENTRES

- 25mm VERSION



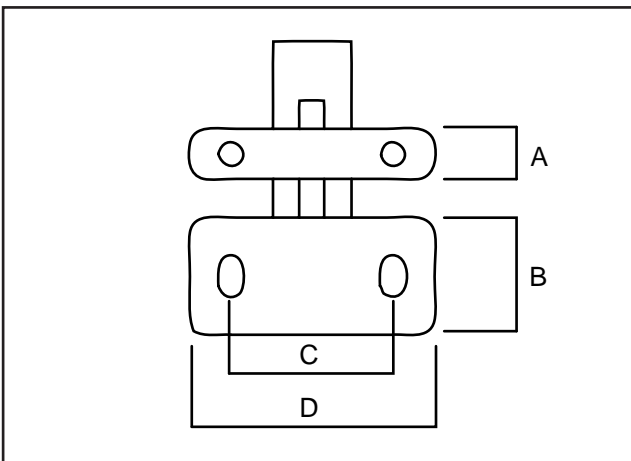
CENTRES

- 38mm VERSION



STEP SIZES

- 5mm
- 7mm
- 11mm
- 16mm
- 21mm



DIMENSIONS

- A - 9mm
- B - 21mm
- C - 33mm
- D - 50mm