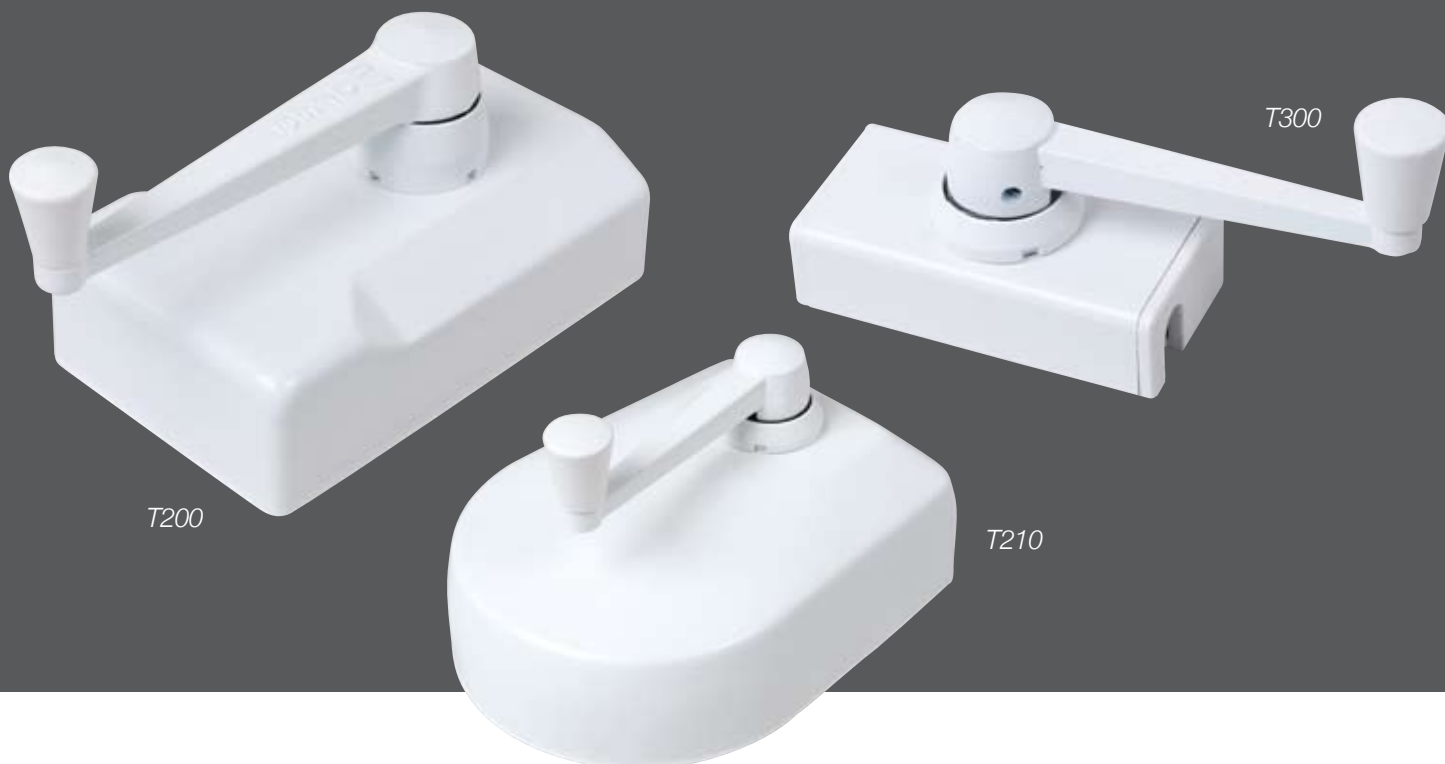


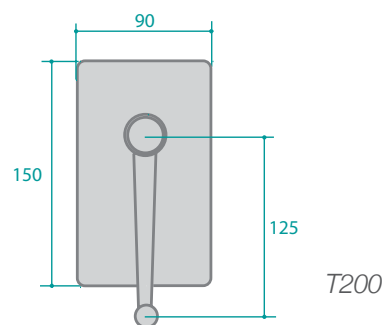
# Operators – T200 / T210 / T300



## » T200

Heavy duty, metal cased operator designed for multiple window operation beyond the capability of the standard T250 and T300 operators.

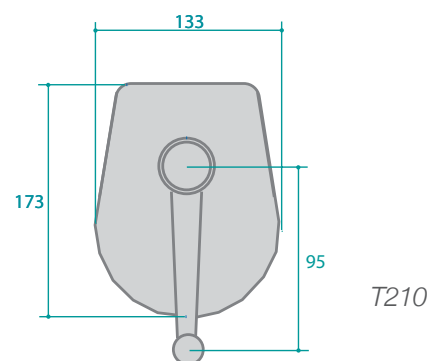
- Supplied complete with handle.
- Recommended for use with the SJ138600 screwjack opener.
- Available in white or black.



## » T210

Budget priced heavy duty, metal cased operator. Ideal for multiple window operation beyond the capability of the standard T250 and T300 operators.

- Supplied complete with handle.
- Available in white, black or grey



## » T300

Small, metal cased operator for single or light multiple window control. Spent travel conduit will be exposed below the operator.

- Supplied complete with handle.
- Available in white, black or grey

